



# AN112 120 128 136

## Programmable Alarm Annunciator

The AN1xx series Alarm Annunciator provides ideal solution for all your alarm system management and requirement. It comes with either 12, 20, 28 or 36 windows, and due to the use of microprocessor-based design, the alarm annunciator is highly flexible in terms of functionality and programmability, suitable for all application and industries.

## Tests And Standards

Electrostatic discharge IEC61000-4-2, Class III, air discharge.....	8 KV
Electrostatic discharge IEC61000-4-2, Class III, contact discharge.....	6 KV
Electrical fast transient IEC61000-4-4.....	4 KV, 5/50ns
Surge immunity IEC61000-4-5.....	4 KV, L to E
Enclosure protection when panel mounted.....	Front: IP41 Enclosure: IP30

## Features

- 12, 20, 28 or 36 windows. Replaceable superbright LED modules, with choice of amber or red illumination
- 11 Alarm Sequences as per ISA-18.1 standard
- Each channel/window fully field programmable, either from front panel built-in pushbutton or using PC
- Option of either RS232 or RS485 MODBUS-RTU communication. Comes with user-friendly configuration software.
- Repeat relay for each window as well as numerous configurable multifunction output relays for connection to external equipment to form alarm management system
- Sleep or unattended mode feature is available, for stations not permanently manned
- Auto-silence and auto-acknowledge features, with delay settable from 1 – 255 s
- Other amount of windows available upon request.

## Technical Data

### WINDOW

Window Dimension : 50 x 30 mm.  
 Type : White translucent lens.  
 Colours : Red, Amber. Coloured by field replaceable LED module.  
 Windows Flash  
 Fast : 1.4 Hz (0.4s on, 0.4s off),  
 Slow : 0.45 Hz (1.1s on, 1.1s off),  
 Intermittent: (0.4s on, 1.8s off),

### ALARM SEQUENCES

M, A, R, R-12, F1A, F1M, F2A, F2M, F3A, F3M, Follower

### AUXILIARY POWER INPUT

Fuse protected.  
 AN1xx-30 : 24-36 V DC or 18-27 V AC.  
 AN1xx-110 : 88-132 V DC or 64-95 V AC.  
 Power consumption : AN112: 6 W, AN120: 8 W, AN128: 10W, AN136: 12W

### ALARM CONTACT INPUTS

**Opto-isolated inputs**  
 AN1xx-30 : 24-36 V DC  
 AN1xx-110 : 88-132 V DC  
 Input current : 3 mA typical

### OUTPUT CONTACTS

Repeat relays : Potential free for each alarm point.  
 5 A at 250 V AC, 3 A at 30 V DC. Resistive load.  
 AUX1-AUX3, RBACK, SSP : 5 A at 250 V AC, 5 A at 30 V DC. Resistive load.

### TERMINALS

Wire size : 28-14 AWG. ( 0.08mm<sup>2</sup> to 2.5mm<sup>2</sup> )  
 Removable screw type terminal block

### COMMUNICATION

Hardware interface : AN1xx - xx - x - A: RS232  
 AN1xx - xx - x - B : Isolated RS485  
 Protocol : Modbus - RTU  
 Baud rate : 300 to 57600

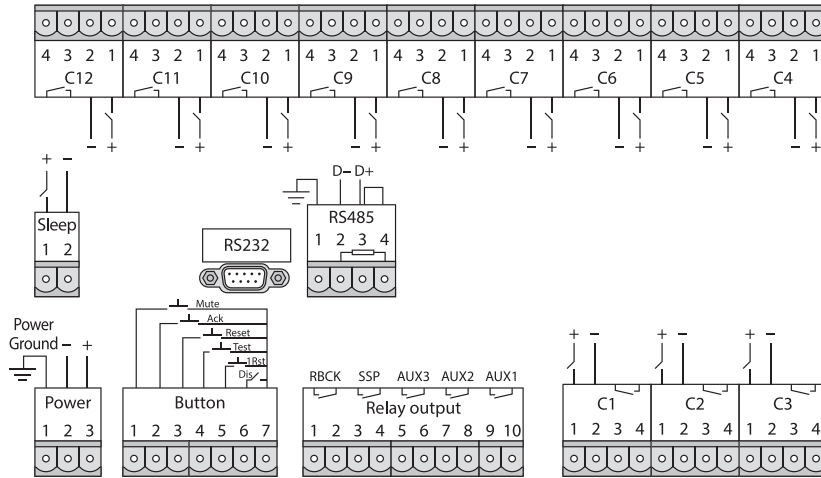
### ENVIRONMENT CONDITIONS

Operation temperature : -20 to 60°C  
 Storage temperature : -20 to 80°C  
 Humidity : 0 - 95% RH, non condensing

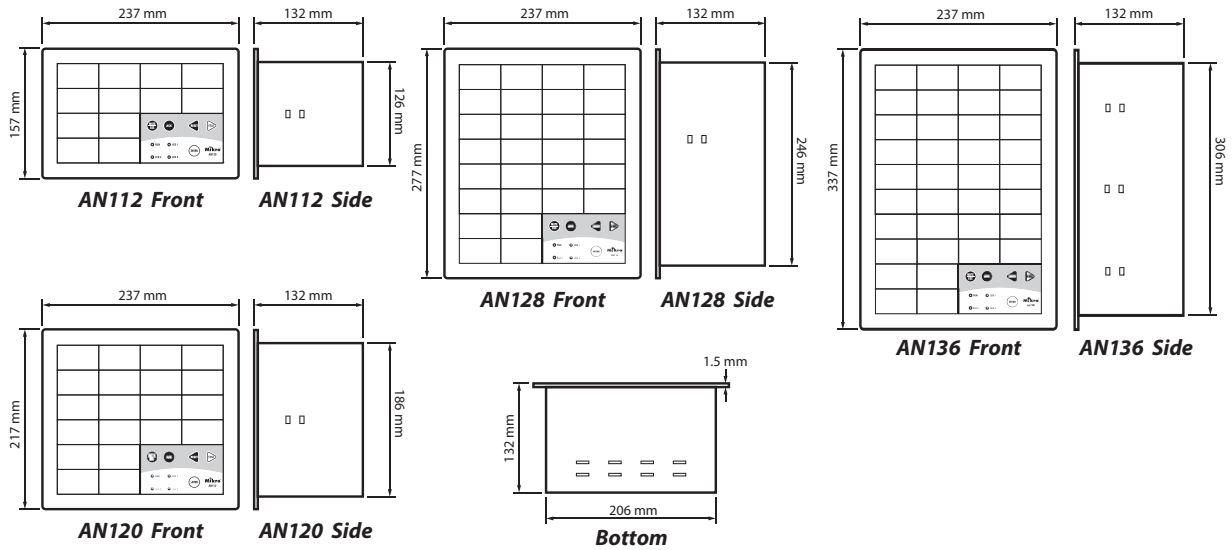
### MECHANICAL

Mounting : Panel Mounting  
 Approximate weight : AN 112 : 2.4 kg  
 AN 120 : 3.1 kg  
 AN 128 : 3.5 kg  
 AN 136 : 3.9 kg

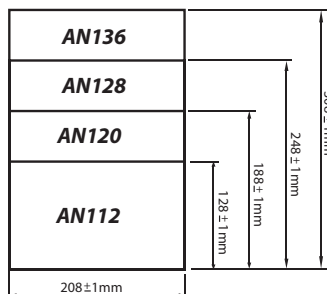
### Typical Connection Diagram



### Case Dimensions



#### AN1xx Panel Cutout



### Ordering Information

Order code:

AN1  -  -  -  .....

- A:** RS 232 communication
- B:** RS 485 communication
- 0:** without repeat relays
- 1:** with repeat relays
- Power Supply:** 30, 110 V DC
- Number of Windows:** 12, 20, 28, 36

For example: 12 windows, 30 V DC, with repeat relays, RS232 communication: **AN112-30-1-A**