

**FEATURES**

LCD display with back lighting Modbus-RTU communication

**MEASUREMENT PARAMETERS:**

- Phase Voltage (L-N) & Line Voltage (L-L)
- Min & Max Phase and Line Voltage
- Phase Current and Neutral Current
- Min & Max Phase Current and Neutral Current
- Bidirectional kW, kvar (per phase & total)
- kVA (per phase & total)
- Min & Max kW, kvar and kVA
- Frequency
- True & Displacement Power Factor (per phase & total)
- Energy kWh, kvarh and kVAh
- THD Phase Voltage ( L-N ) & THD Phase Current
- Power Demand (kW, kvar & kVA)
- Maximum Power Demand (kW, kvar & kVA)
- Individual phase voltage & current harmonics (up to 32 harmonics)
- Operating hours & hour on

**SPECIFICATIONS****DISPLAY TYPE**

LCD display

**MEASUREMENTS**

3-phase 4-wire system  
3-phase 3-wire system

**CURRENT MEASUREMENT (TRMS)**

CT primary : 5~9995 / 1~2999A  
CT secondary : 5A / 1A  
Minimum measurement : 5 mA  
Accuracy : 5A : 0.5% from 1A to 6 A (secondary)  
1A : 0.5% from 0.5A to 2A (secondary)  
Burden : < 0.05 VA at 5 A  
Sustained overload : 6 A

**VOLTAGE MEASUREMENT (TRMS)**

Nominal phase voltage : 20 ~ 300 V AC  
Minimum measurement : 10 V  
Accuracy : 0.5% at full scale  
Phase voltage via VT : 60 ~ 33,000 V

**POWER MEASUREMENT**

Real power, apparent power, reactive power measurement  
Measuring updating period : 1 s  
Accuracy : 1.0%

**POWER DEMAND**

Interval : 1 ~ 30 mins

**POWER FACTOR MEASUREMENT**

Total and displacement power factor  
Accuracy : 1.0%

**FREQUENCY MEASUREMENT**

Measurement range : 45 ~ 65 Hz  
Measurement updating period : 1s  
Accuracy : 0.5%

**ENERGY ACCURACY**

Active (according to IEC 62053-21) : class 1  
Reactive (according to IEC 62053-23) : class 2

**HARMONICS**

Phase voltage & current : THD%  
Individual up to 32nd order (through communication)

**AUXILIARY POWER SUPPLY**

AC voltage : 90 ~ 300 V AC  
Frequency : 50 / 60 Hz  
DC voltage : 100 ~ 300 V DC  
Power consumption : < 3 VA

**COMMUNICATION**

Hardware interface : Isolated RS485  
Protocol : Modbus-RTU  
Baud rate : 4800, 9600, 19200, 38400

**ENVIRONMENTAL CONDITIONS**

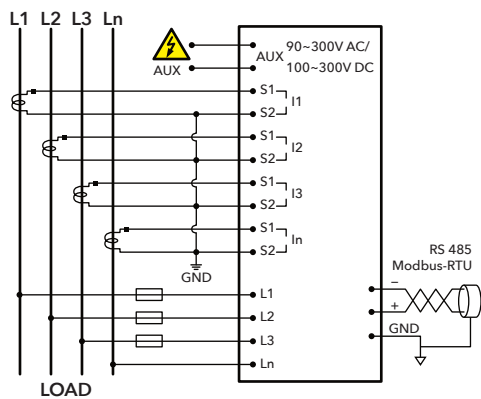
Temperature : -10°C to 55°C  
Humidity : 5% to 95%, non-condensing

**MECHANICAL**

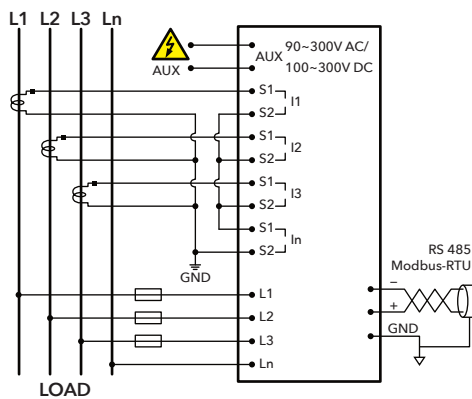
Mounting : Panel mounting  
Dimension (mm) : 96(w) x 96(h) x 87.5(d)  
Enclosure protection : IP54 at the panel  
IP20 at the body  
Approximate weight : 0.40kg

## TYPICAL APPLICATION DIAGRAM

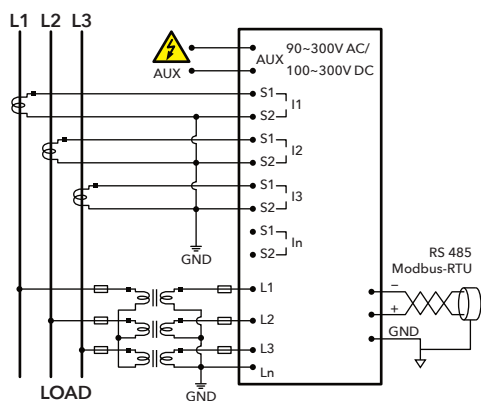
3-PHASE 4-WIRE SYSTEM: 4CTs, direct V input



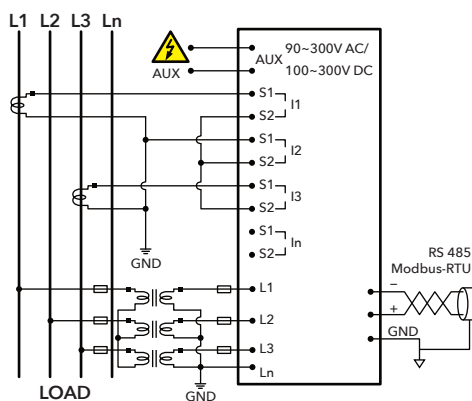
3-PHASE 4-WIRE SYSTEM: 3CTs, direct V input



3-PHASE 3-WIRE SYSTEM: 3CTs, 3VTs



3-PHASE 3-WIRE SYSTEM: 2CTs, 3VTs



## TEST STANDARDS

- IEC 61010-1  
Safety requirement
- IEC 61326-1  
EMC requirement

## ORDERING INFORMATION

MODEL	DESCRIPTION
RX 380-415AD	Auxiliary Voltage 90~300 V AC or 100~300 V DC, with RS 485

## CASE DIMENSION

