



FEATURES

- Microprocessor based intelligent auto switching control
- Display of Cos ϕ , power factor, voltage, current
- Display power of Active (W), Reactive (var), Apparent (VA) and required var
- No voltage release function
- Automatic C/K and rated step adjustment
- Automatic CT polarity correction
- Programmable sensitivity
- Programmable alarm
- Last step can be used as alarm/fan output
- Alarm of under/over voltage, under/over compensate and step fault
- Programmable L-L and L-N voltage sensing
- Complies with IEC 61000-6-2 standard

FOR RX96

- For single-phase system

FOR RX96P

- For three-phase system

SPECIFICATIONS

AUXILIARY SUPPLY

Supply voltage (RX96)	: 220 ~ 240 V AC
(RX96P)	: 380 ~ 415 V AC
Operating Limits	: -15% +10%
VA Rating	: 10VA max
Frequency	: 50Hz or 60Hz

OUTPUT CONTACT

Numbers of Outputs	: 6
Contact Arrangement	: NO contact type
Rated Capacity	: 5A 250VAC (Cos ϕ =1)
Max Current for the Common Terminals	: 12A continuous

CURRENT INPUT

Rated Current, In	: 5A
Operatings Limits	: 0.05 -8A
Rated Frequency	: 50Hz or 60Hz

CONTROL RANGE

Power Factor Setting	: 0.8 inductive -0.8 capacitive
C/K Setting	: 0.02 -1.20/Auto
Switching Sensitivity	: 5 - 600 s/step
Reconnection Time for Same Step	: 5 - 240 s
Switching Program	: Off/Automatic/ Rotational/Manual Four-quadrant
Rated Step Coefficient	: 1 - 16/Fix/Off

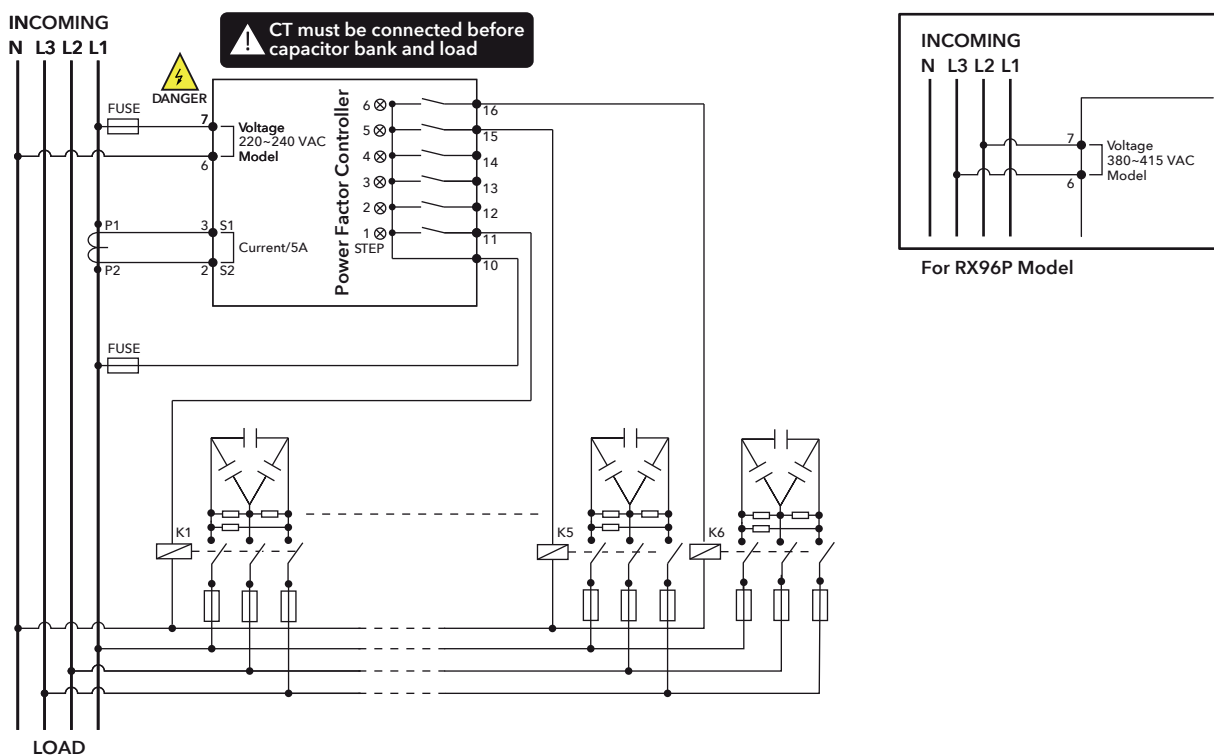
ENVIRONMENTAL CONDITIONS

Operating Temperature	: -5°C to 55°C
Humidity	: 56 days at 93% RH and 40°C non-condensing

MECHANICAL

Mounting	: Panel mounting
Dimension (mm)	: 96(w) x 96(h) x 70(d)
Enclosure protection	: IP54 at the panel
Approximate weight	: 0.6kg

TYPICAL APPLICATION DIAGRAM



ORDERING INFORMATION

MODEL	DESCRIPTION
RX96 - 230A	6 steps, 50 or 60Hz system, auxiliary voltage 220~240 VAC
RX96P - 415A	6 steps, 50 or 60Hz system, auxiliary voltage 380~415 VAC

CASE DIMENSION

