



# DIN330

## Features

- Numerical auto-reclosing earth leakage relay
- Incorporated positive safety feature into trip contact
- Detection of no connection to ZCT
- Relay trip / alarm indicator
- Real-time leakage current display
- Leakage fault current recording
- Remote reset function
- Standard 35mm DIN rail mounting
- Protected against nuisance tripping

## Technical Data

### AUXILIARY SUPPLY

Model DIN330-230 A(6) : 184 ~ 276 V AC  
 Rated frequency : 50 or 60 Hz  
 VA rating : 3 VA typical

### PERFORMANCE

Setting accuracy : -15% to +0%  
 Timing accuracy : ±5%

### SETTING

Sensitivity adjustment : 30 mA, 50 mA,  
 0.10 A – 1.00 A  
 (Step = 50 mA),  
 1.00 A – 10.0 A  
 (Step = 1.00 A)

Time delay adjustment: Instantaneous,  
 0.1s – 3.0s  
 Step = 0.10 sec.

Number of shots : 0 - 30. Step = 1.  
 0 = Disable auto  
 reclose function

Dead time : 1 - 500 sec. Step = 1 sec.  
 Permanent fault time : 0 - 500 sec. Step = 1 sec.  
 0 = Disable function

Reclaim time : 0 - 500 minute  
 Step = 1 min  
 0 = Disable function

Lockout auto reset time: 0 - 200 hour  
 Step = 1 Hrs  
 0 = Disable function

Programmable : Option 0 = Disable  
 contact  
 Option 1 = All (Option  
 2 to 6)  
 Option 2 = ZCT error  
 Option 3 = Leakage trip,  
 test trip,  
 re-close lockout  
 Option 4 = Re-close lockout  
 Option 5 = Pre-fault alarm,  
 leakage trip,  
 test trip,  
 reclose lockout  
 Option 6 = Re-close lockout,  
 ZCT error

### RECORD

Fault record : 3 latest tripped fault  
 currents or "tSt" for  
 manual test trip

Storage : Non-volatile memory

### INPUT

Remote reset : N.O. dry contact

### OUTPUTS

Trip safe contact : Activated when the relay  
 is in normal power-up  
 condition with the  
 measured leakage current  
 less than  $0.85 I_{\Delta n}$ .

Programmable contact: Activated according to  
 user setting

### OUTPUT CONTACTS

Rated voltage : 250 V AC  
 Contact rating : 5 A (NO)  
 3 A (NC)  
 Expected electrical life : 100,000 operations  
 at rated current  
 Expected mechanical life :  $5 \times 10^6$  operations

### INDICATORS

50% pre-fault alarm : Red indicator  
 (Normal blink)  
 Time delay : Red indicator (Fast blink)

Leakage trip : 7-segment display  
 and red indicator

Reclose lockout : 7-segment display  
 and red indicator

ZCT fault : 7-segment display  
 and red indicator

Real time leakage current : 7-segment display

### ZERO - PHASE CURRENT TRANSFORMER

To operate with Mikro's ZCT series of current  
 transformer

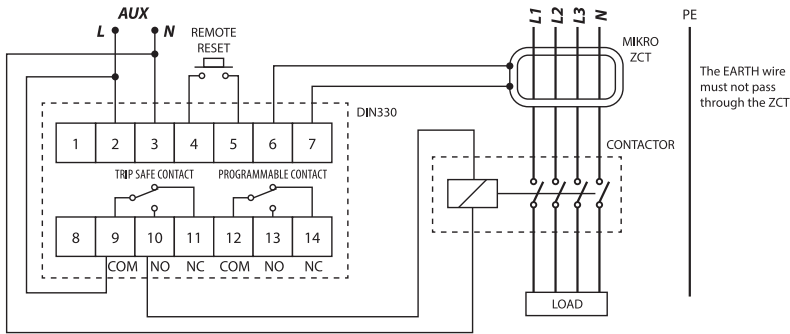
### ENVIRONMENTAL CONDITIONS

Temperature : -10°C to 55°C  
 Humidity : 5% to 95%,  
 non-condensing

### MECHANICAL

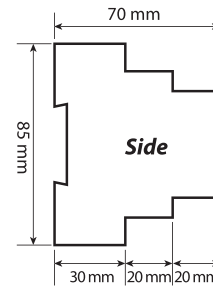
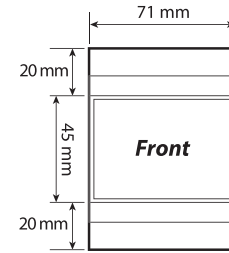
Mounting : DIN rail mounting  
 Dimension (mm) : 71(w) x 85(h) x 70(d)  
 Approximate weight : 0.4 kg (excluding ZCT)

### Typical Application Diagram



\* The trip safe contact is activated (terminal 9-10 closed) when the relay is in normal power-up condition with the measured leakage current less than 0.85 IDn.

### Case Dimensions



### Ordering Information

MODEL	DESCRIPTION
DIN330 - 230 A	For 50 Hz system, auxiliary voltage 230 V AC
DIN330 - 230 A6	For 60 Hz system, auxiliary voltage 230 V AC