

DPM380 in Three Phase Three Wire System

1. Mikro's DPM380 digital power meter can be use at either three phase four wire or three phase three wire electrical distribution system.
2. For the three phase three wire connection, the user has the choice of using either 3 CT or 2 CT.
3. For 2 CT, the current component I₂ is extracted naturally by manipulating the CT connection as shown in Figure 1.
4. The advantages of this connection are the saving of one CT. The accuracy of the reading can be maintained provided that the CTs are equally matched.
5. The following parameters should be ignore as it is not possible to determined in three phase three wire system
 - Phase voltage
 - Neutral current I_n
 - Phase power factor
 - Phase active power
 - Phase reactive power
 - Phase apparent power
 - Phase THD Voltage

DPM380
3 WIRE WITH 2 CTs

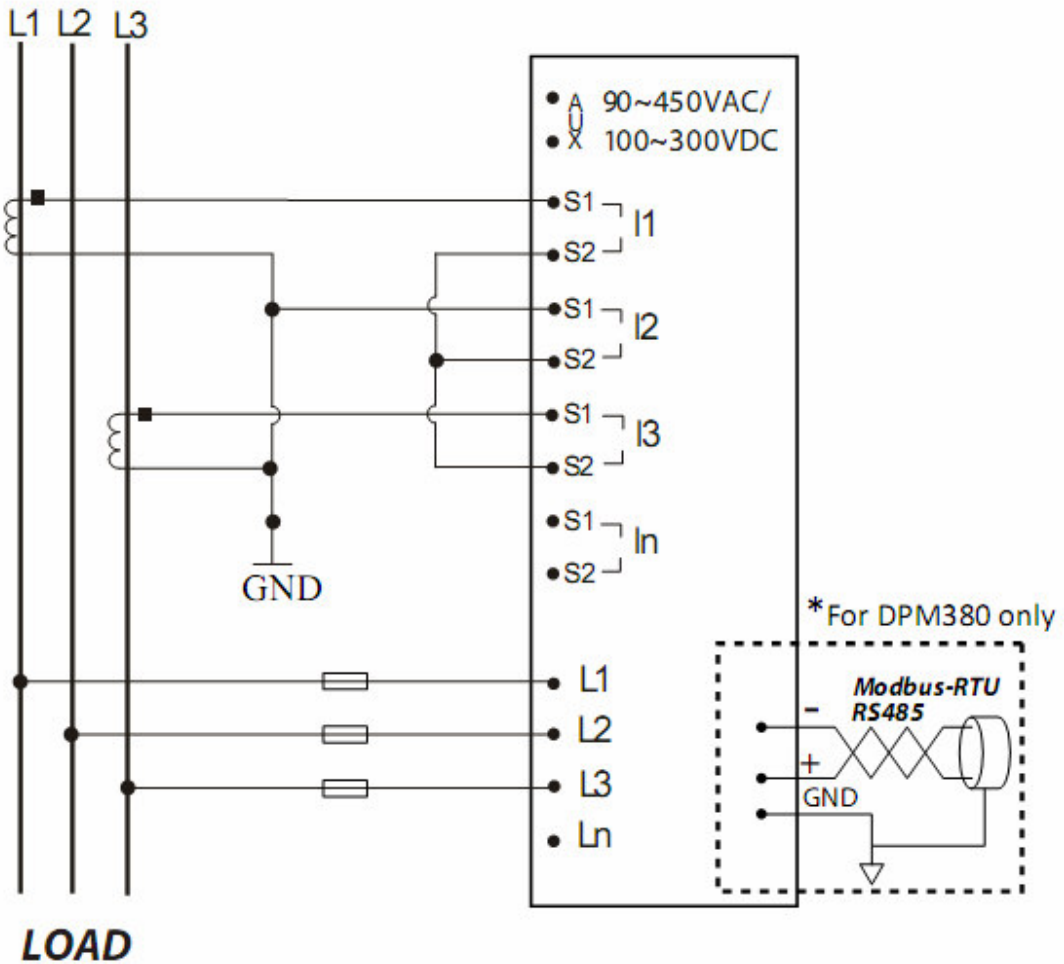


Figure 1: Three phase three wire connection with 2 CT

Tay Siang Hui
 Technical Marketing Manager
 20th December 2012