

Mikrosafe™

Safety For Your Family



MODEL INFORMATION

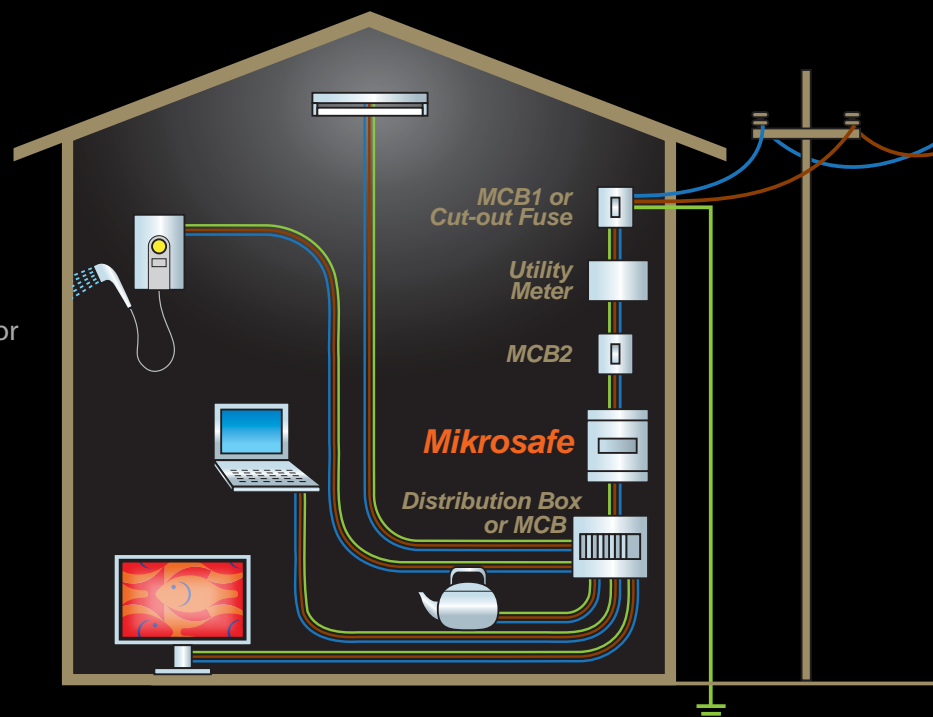
MS-230-50-SPN40 (Single phase, 40A)

MS-230-50-SPN63 (Single phase, 63A)

SPECIFICATION

Rated voltage	: 184~276 V AC
Rated frequency	: 50 Hz
Sensitivity setting	: 0.03~1.00 A
Time delay setting	: 0.00~3.00 sec
Circuit breaker rated current	: 40 A or 63 A
Phase	: Single or Three

Mikro Sdn. Bhd. (423468-T)
 No. 1 Jalan TP 7/7, Sime UEP Industrial Park,
 40400 Shah Alam, Selangor, Malaysia.
 Tel: +(603) 5192 7155
 Fax: +(603) 5192 7166





MAIN FEATURES:

- Custom made leakage protection for your family
- Protect your household appliances and assets
- Real-time display of existing leakage current



Mikrosafe[™]

Safety For Your Family