



# NX203A

## Features

- Microprocessor based numerical relay
- Current measurement based on fundamental frequency
- Low-set inverse IDMT inverse relay
- High-set instantaneous relay
- Separate low-set and high-set trip indicators
- Option to disable high-set relay
- Front panel access to test function
- Complies with IEC 60255 standard
- ANSI Code : 50P, 51P

## Technical Data

### RATINGS

Rated current ( I <sub>n</sub> )	: 5 A
Rated frequency	: 50 Hz
Burden	: < 0.3 VA at I <sub>n</sub>
Thermal withstand	: 4 x I <sub>n</sub> continuous

### AUXILIARY SUPPLY

Model NX203A-240A	: 198 ~ 265 V AC
Model NX203A-110A	: 94 ~ 127 V AC
Supply frequency	: 50 Hz
VA rating	: 3 VA typical

### SETTING RANGES

Low-set ( I> )	: 2.0 A to 6.0 A
	: 40% to 120%
Time multiplier ( TM )	: 0.05 to 1.0
High-set ( I>> )	: I> to 10 x I> or disable
High-set delay time ( t>> )	: Instantaneous

### TIME CURRENT CHARACTERISTIC CURVE

- Normal Inverse

### OUTPUT CONTACTS

Trip contact ( R1 )	: Manual reset type
Rated voltage	: 250V AC
Contact rating	: 5 A
Expected electrical life	: 100,000 operations at rated current
Expected mechanical life	: 5 x 10 <sup>6</sup> operations

### INDICATORS

Auxiliary supply	: Green indicator
Pick-up	: Red indicator
Trip	: Red indicator

### ACCURACY

Protection thresholds	: ± 5%
Time delay	: ± 5% with a minimum of 50 ms

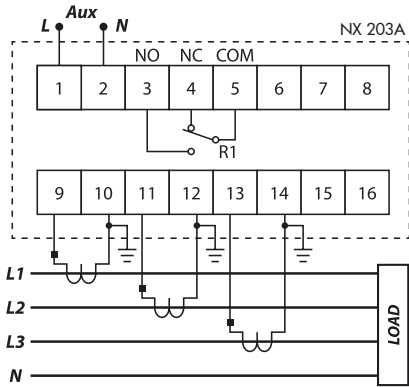
### ENVIRONMENTAL CONDITIONS

Temperature	: -5°C to +55°C
Humidity	: 56 days at 93% RH and 40°C non-condensing

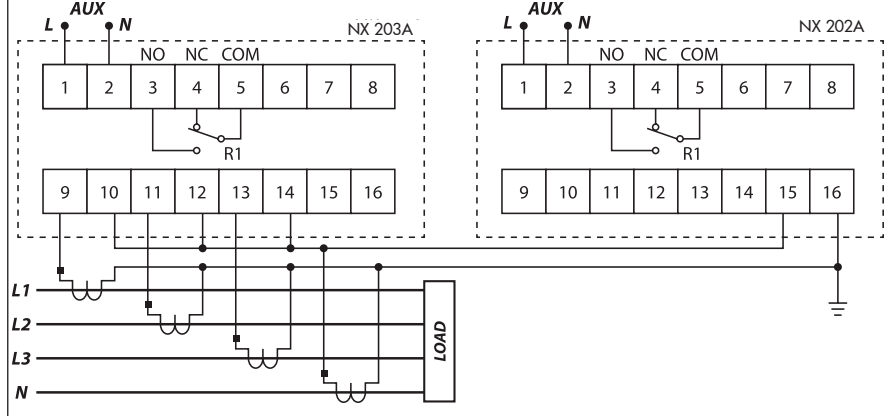
### MECHANICAL

Mounting	: Panel mounting
Dimension (mm)	: 96(w) x 96(h) x 110(d)
Approximate weight	: 0.8 kg

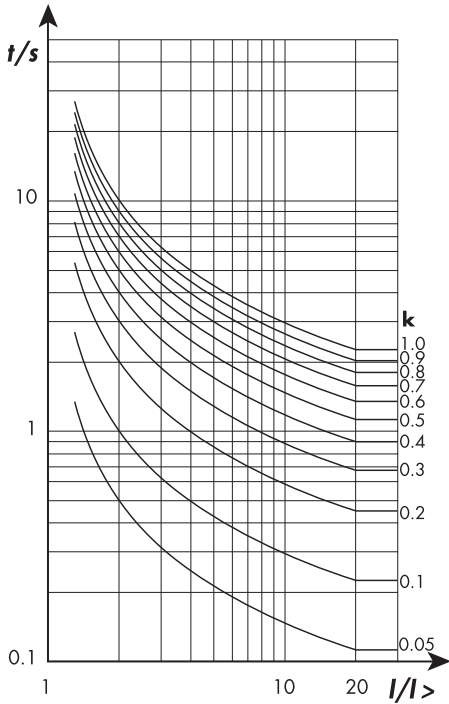
### Typical Application Diagram



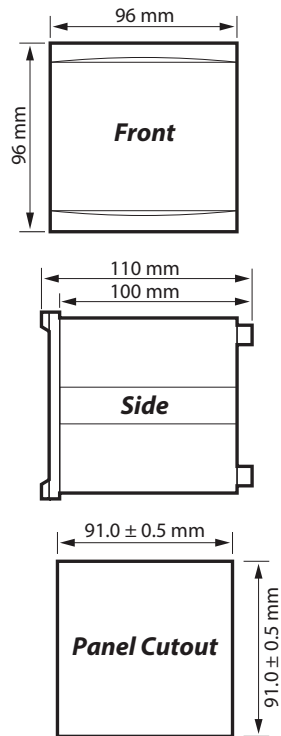
### Combined IDMT Overcurrent & Earth Fault Relays



### Normal Inverse



### Case Dimensions



### Ordering Information

MODEL	DESCRIPTION
NX203A - 240A	For 50 Hz system, auxiliary voltage 198 ~ 265 V AC
NX203A - 110A	For 50 Hz system, auxiliary voltage 94 ~ 127 V AC