



NX203A

Features

- Microprocessor based numerical relay
- Current measurement based on fundamental frequency
- Low-set IDMT normal inverse relay
- High-set instantaneous relay
- Separate low-set and high-set trip indicators
- Option to disable high-set element
- Front panel access to test function
- Complies with IEC 60255 standard
- ANSI Code : 50P, 51P

Technical Data

RATINGS

Rated current (I_n)	: 5 A
Rated frequency	: 50 Hz
Burden	: < 0.3 VA at I_n
Thermal withstand	: 4 x I_n continuous

AUXILIARY SUPPLY

Model NX203A-240A	: 198 ~ 265 V AC
Model NX203A-110A	: 94 ~ 127 V AC
Supply frequency	: 50 Hz
VA rating	: 3 VA typical

SETTING RANGES

Low-set ($I >$)	: 2.0 A to 6.0 A
	: 40% to 120%
Time multiplier (TM)	: 0.05 to 1.0
High-set ($I >>$)	: $I >$ to 10 x $I >$ or disable
High-set delay time ($t >>$)	: Instantaneous

TIME CURRENT CHARACTERISTIC CURVE

- Normal Inverse

OUTPUT CONTACTS

Trip contact (R1)	: Manual reset type
Rated voltage	: 250V AC
Contact rating	: 5 A
Expected electrical life	: 100,000 operations at rated current
Expected mechanical life	: 5 x 10 ⁶ operations

INDICATORS

Auxiliary supply	: Green indicator
Pick-up	: Red indicator
Trip	: Red indicator

ACCURACY

Protection thresholds	: ± 5%
Time delay	: ± 5% with a minimum of 50 ms

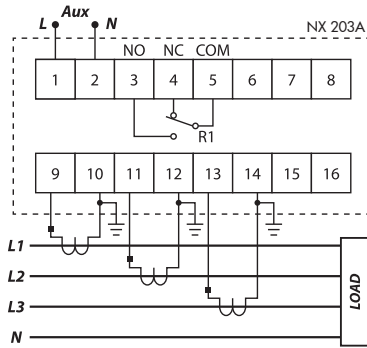
ENVIRONMENTAL CONDITIONS

Temperature	: -10°C to +55°C
Humidity	: 5% to 95%, non-condensing

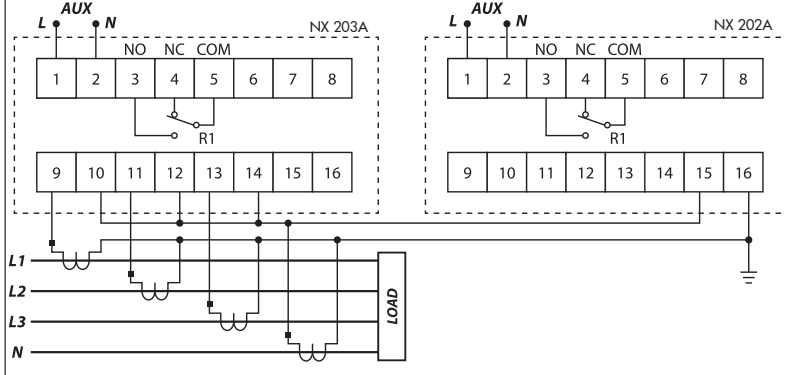
MECHANICAL

Mounting	: Panel mounting
Dimension (mm)	: 96(w) x 96(h) x 110(d)
Enclosure protection	: IP30
Approximate weight	: 0.8 kg

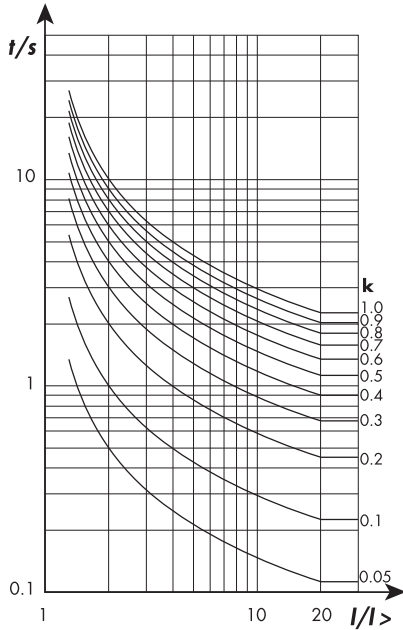
Typical Application Diagram



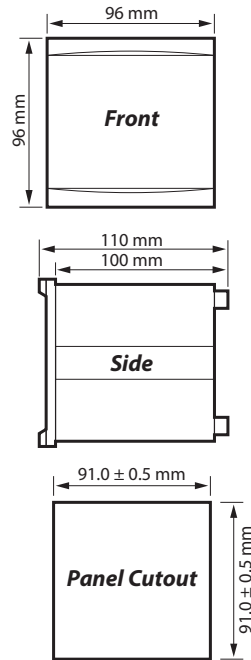
Combined IDMT Overcurrent & Earth Fault Relays



Normal Inverse



Case Dimensions



Ordering Information

MODEL	DESCRIPTION
NX203A - 240A	For 50 Hz system, auxiliary voltage 198 ~ 265 V AC
NX203A - 110A	For 50 Hz system, auxiliary voltage 94 ~ 127 V AC