



# NX204A

## Features

- Microprocessor based numerical relay
- Current measurement based on fundamental frequency
- Low-set inverse definite time relay ( IDT )
- High-set instantaneous relay
- Separate low-set and high-set trip indicators
- Option to disable high-set element
- Front panel access to test function
- Complies with IEC 60255 standard
- ANSI Code : 50P, 51P

## Technical Data

### RATINGS

|                         |                        |
|-------------------------|------------------------|
| Rated current ( $I_n$ ) | : 5 A                  |
| Rated frequency         | : 50 Hz                |
| Burden                  | : < 0.3 VA at $I_n$    |
| Thermal withstand       | : 4 x $I_n$ continuous |

### AUXILIARY SUPPLY

|                   |                  |
|-------------------|------------------|
| Model NX204A-240A | : 198 ~ 265 V AC |
| Model NX204A-110A | : 94 ~ 127 V AC  |
| Supply frequency  | : 50 Hz          |
| VA rating         | : 3 VA typical   |

### SETTING RANGES

|                                |                                  |
|--------------------------------|----------------------------------|
| Low-set ( $I >$ )              | : 2.0 A to 6.0 A                 |
|                                | : 40% to 120%                    |
| Time multiplier ( TM )         | : 0.05 to 1.0                    |
| High-set ( $I >>$ )            | : $I >$ to 10 x $I >$ or disable |
| High-set delay time ( $t >>$ ) | : Instantaneous                  |

### OUTPUT CONTACTS

|                          |                                       |
|--------------------------|---------------------------------------|
| Trip contact (R1)        | : Manual reset type                   |
| Rated voltage            | : 250V AC                             |
| Contact rating           | : 5 A                                 |
| Expected electrical life | : 100,000 operations at rated current |
| Expected mechanical life | : 5 x 10 <sup>6</sup> operations      |

### INDICATORS

|                  |                   |
|------------------|-------------------|
| Auxiliary supply | : Green indicator |
| Pick-up          | : Red indicator   |
| Trip             | : Red indicator   |

### ACCURACY

|                       |                                |
|-----------------------|--------------------------------|
| Protection thresholds | : ± 5%                         |
| Time delay            | : ± 5% with a minimum of 50 ms |

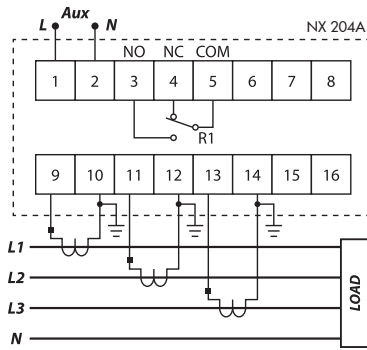
### ENVIRONMENTAL CONDITIONS

|             |                             |
|-------------|-----------------------------|
| Temperature | : -10°C to 55°C             |
| Humidity    | : 5% to 95%, non-condensing |

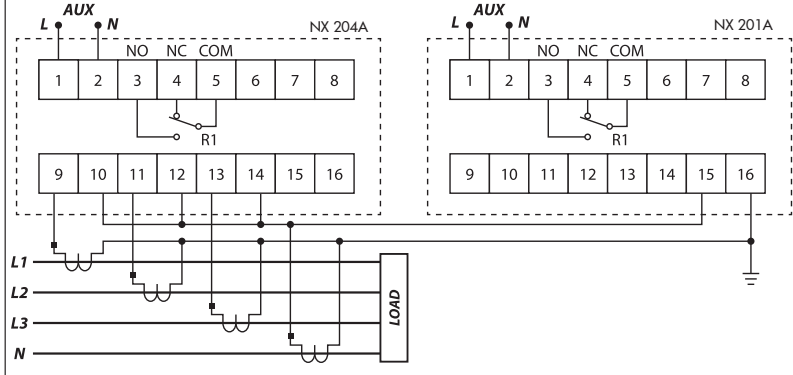
### MECHANICAL

|                       |                          |
|-----------------------|--------------------------|
| Mounting              | : Panel mounting         |
| Dimension (mm)        | : 96(w) x 96(h) x 110(d) |
| Enclosure protection: | IP54 at the panel        |
| Approximate weight    | : 0.8 kg                 |

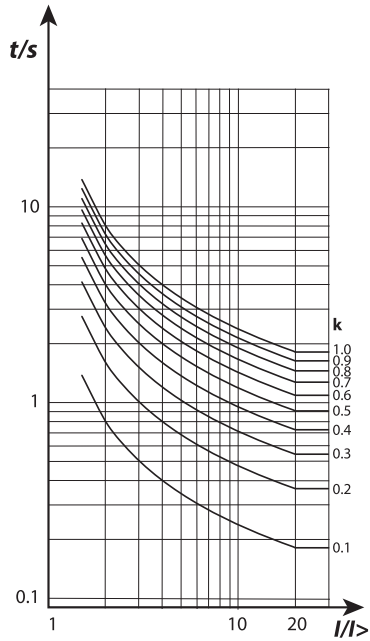
### Typical Application Diagram



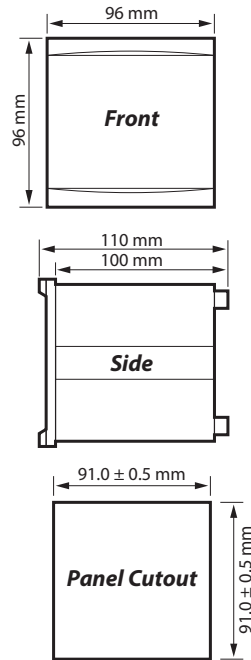
### Combined Overcurrent & Earth Fault Relays



### Inverse Definite Time



### Case Dimensions



### Ordering Information

| MODEL         | DESCRIPTION  |
|---------------|--|
| NX204A - 240A | For 50 Hz system, auxiliary voltage 198 ~ 265 V AC |
| NX204A - 110A | For 50 Hz system, auxiliary voltage 94 ~ 127 V AC  |