

NX231A



Features

- Microprocessor based numerical relay
- Current measurement based on fundamental frequency
- Two stages settings for earth fault
- Local display of measured and set values
- Definite time for low-set and high-set (DTL)
- Non-volatile fault value recording
- Programmable relay outputs
- Complies with IEC 60255 standard
- ANSI Code : 50N, 50G, 51N, 51G

Technical Data

RATINGS

Rated current (I _n)	: 5 A
Rated frequency	: 50 or 60 Hz
Burden	: < 0.3 VA at I _n
Thermal withstand	: 4 x I _n continuous

ACCURACY

Protection thresholds	: ± 5%
Time delay	: ± 5% with a minimum of 50 ms

INDICATORS

Auxiliary supply	: Green indicator
Pick-up	: Red indicator
Trip	: 7-segment display and Red indicators

AUXILIARY SUPPLY

Model NX231A-240A	: 198 ~ 265 V AC
Model NX231A-110A	: 94 ~ 127 V AC
Supply frequency	: 50 or 60 Hz
VA rating	: 3 VA typical

OUTPUT CONTACTS

Rated voltage	: 250V AC / DC
Contact rating	: 5 A
Expected electrical life	: 100,000 operations at rated current
Expected mechanical life	: 5 x 10 ⁶ operations

ENVIRONMENTAL CONDITIONS

Temperature	: -10°C to +55°C
Humidity	: 5% to 95%, non-condensing

SETTING RANGES

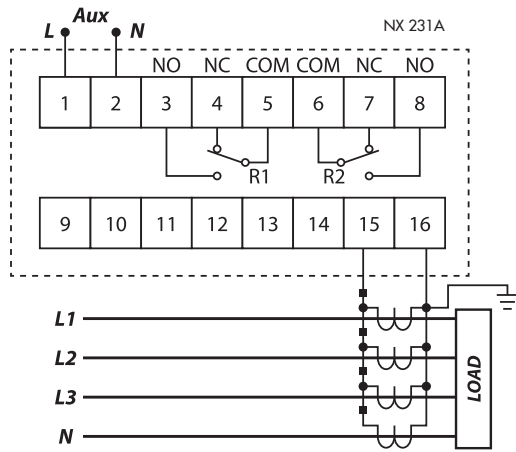
Low-set (I _{>})	: 0.1 A to 5.0 A (2% to 100%)
Low-set definite time (t _{>})	: 0.00 sec to 100 sec
High-set (I _{>>})	: 0.1 A to 50 A (2% to 1000%) or disable
High-set delay time (t _{>>})	: 0.00 sec to 100 sec

(0.00 to 1.00, step 0.01; 1.00 to 10.0, step 0.10; 10.0 to 100, step 0.5)

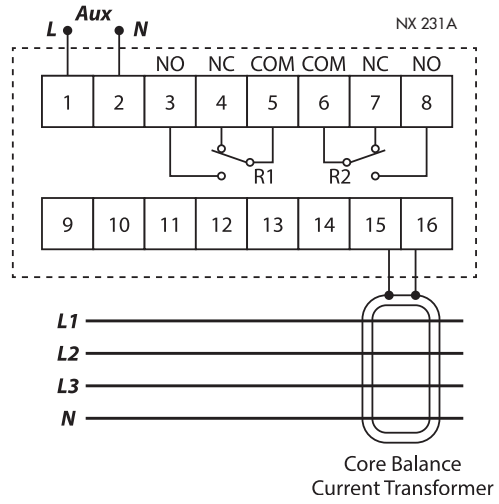
MECHANICAL

Mounting	: Panel mounting
Dimension (mm)	: 96(w) x 96(h) x 110(d)
Enclosure protection	: IP54 at the panel
Approximate weight	: 0.7 kg

Typical Application Diagram 1



Typical Application Diagram 2



Ordering Information

MODEL	DESCRIPTION
NX231A - 240A	For 50/60 Hz system, auxiliary voltage 198 ~ 265 V AC
NX231A - 110A	For 50/60 Hz system, auxiliary voltage 94 ~ 127 V AC

Case Dimensions

