

RPR415B



Features

- Reverse power monitoring
- 3-phase-4-wire system
- Adjustable reverse power setting
- Adjustable tripping time delay
- Indicators for auxiliary power, trip delay and trip status
- Test button
- ANSI Code : 32

Product Description

The RPR 415B relay is a directionally controlled timing relay used to protect AC generators from motor-ing. When such a condition occurs and the reverse current exceeded the customer adjustable preset limit and the current persists for a predetermined delay time, the trip relay operates to disconnect the circuit.

Technical Data

INPUT

Rated Phase-neutral voltage	: 220V to 240V AC
Rated Phase-phase voltage	: 380V to 415V AC
Rated frequency	: 50 or 60 Hz
Rated current (In)	: 5A
Burden	: < 0.3 VA at In
Thermal withstand	: 1.2 x Un , 2 x In continuous : 1.2 x Un , 10 x In for 3 sec
Power consumption	: 3 VA maximum

OUTPUT CONTACTS

Rated voltage	: 250 V AC/DC
Contact rating	: 5 A
Expected electrical life	: 100,000 operations at rated current
Expected mechanical life	: 5 x 10 ⁶ operations

SETTING RANGES

Range	: 2% to 20% reverse current with 1% Hysteresis
Time delay	: 0 sec to 20 sec 3-Phase 4-wire (star) or 3-Phase 3-wire (delta)

ACCURACY

Protection thresholds	: ± 3%
Hysteresis	
Delay time	: 1% : 0-0.5s, ± 15%, 40ms minimum.
Measurements	: 0.5s and above, ± 3% : ± 3%

INDICATORS

Auxiliary supply	: Green indicator
Delay	: Red indicator
Trip	: Red indicator

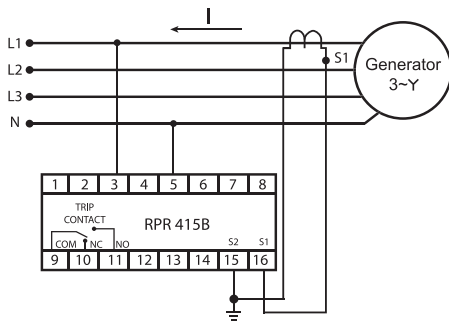
ENVIRONMENTAL CONDITIONS

Temperature	: -10°C to 55°C
Humidity	: 5% to 95%, non-condensing

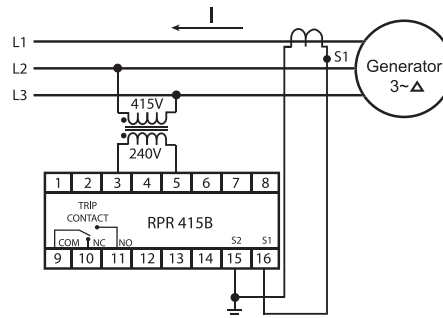
MECHANICAL

Mounting	: Panel mounting
Dimension (mm)	: 96(w) x 96(h) x 90(d)
Approximate weight	: 0.43 kg

Typical Application Diagram

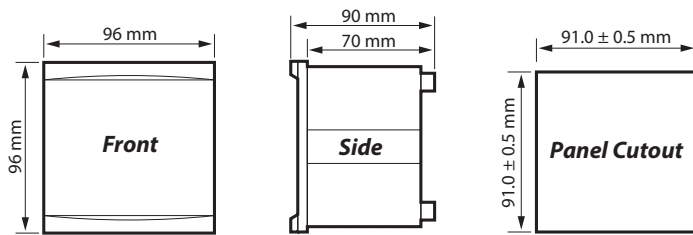


3-Phase 4-wire / single-phase system



3-Phase 3 wire system

Case Dimensions



Ordering Information

MODEL	DESCRIPTION
RPR415B	Auxiliary voltage 380 ~ 440 V AC