

EARTH LEAKAGE RELAY

RX300/330



FEATURES

- Built-in NFC for reading and setting parameters through mobile app
- Real-time monitoring of system condition
- Built-in self test and soft recovery watchdog
- Internal relay failure (IRF) alarm for system abnormalities
- Time-stamp event record of power failure and setting changes up to 120 events.
- Time-stamp record up of to 30 faults and 30 pickups
- Selectable fundamental or true RMS measurement
- Selectable 50 or 60 Hz frequency
- Programmable contact outputs
- Detection of no connection to ZCT
- Incorporated fail-safe feature into trip contact

FEATURE FOR RX330

- ** Self-reclosing feature

SPECIFICATIONS

AUXILIARY SUPPLY

Supply Voltage : 198 ~ 265VAC
 Supply Frequency : 50 or 60Hz
 VA Rating : 3VA max

ACCURACY

Protection Thresholds : -15% to 0%
 Time Delay : ±3% or ±40ms

INPUTS

Remote Reset : N.O. dry contact
 Remote Test : N.O. dry contact

NFC COMMUNICATION

Operation System : Android OS and IOS
 App Name : MikroNFC



OUTPUT CONTACTS

Rated Voltage : 250VAC
 Continuous Carry : 5A (Cosφ=1.0)
 Expected Electrical Life : 10⁵ operations
 Expected Mechanical Life : 5 x 10⁶ operations
 No of Output Contact : 3

SETTING RANGES

(i) Earth-Leakage Setting

IΔn Sensitivity : 20mA -30.0A, *(Variable steps 1)
 Time Δt : INST -10.0s, (Step 0.01s)
 Pre-fault : 10mA -24.0A, *(Variable steps 1)
 Reset Hysteresis : 2% -10%, (Step 1%)

(ii) Self Reclosing Setting **

Number of Shots : OFF/1 -30 (Step 1)
 Dead Time : 1s -500s (Step 1s)
 Persistent Fault Time: OFF/1s -500s (Step 1s)
 Reclaim Time : OFF/1min -500min (Step 1min)
 Lockout Self Reset Time: OFF/1h -200h (Step 1h)

EARTH LEAKAGE PROTECTION CLASS

Type A

INDICATORS

Auxiliary Supply : Green indicator
 Pick-up : Red indicator
 Trip : 7-segment display and Red Indicator
 ZCT Fault : Red indicator
 Reclose Fault : Red indicator**

ENVIRONMENTAL CONDITIONS

Operating Temperature : -10°C to 55°C
 Humidity : 5% to 95%, non-condensing

MECHANICAL

Mounting : Panel mounting
 Dimension (mm) : 96(w) x 96(h) x 90(d)
 Enclosure protection : IP54 at the panel
 IP20 at the body
 Approximate weight : 0.5kg

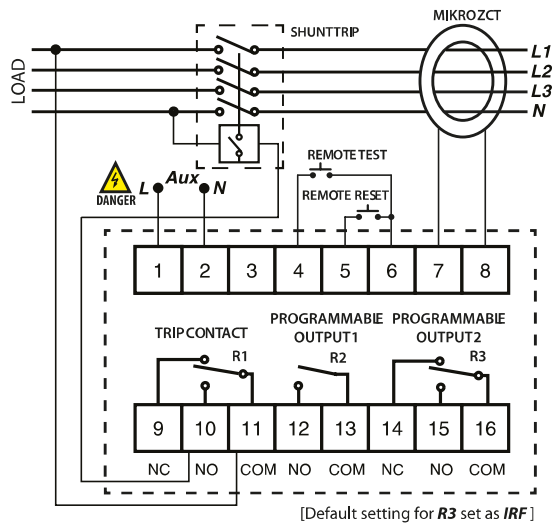
ZERO-PHASE CURRENT TRANSFORMER

To operate with Mikro's ZCT series of current transformer.

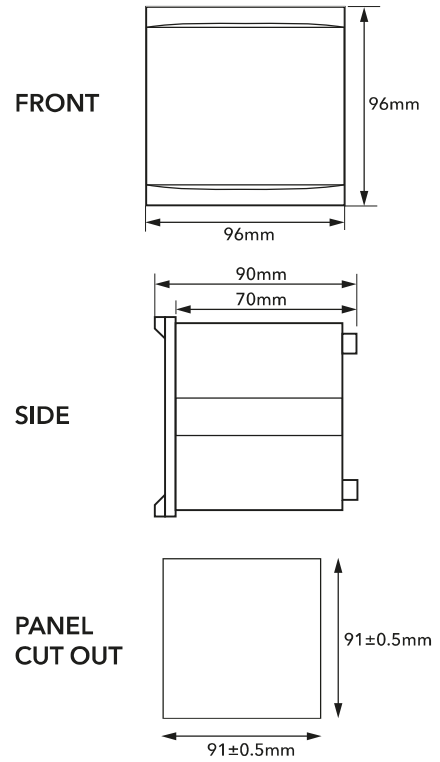
* Variable Steps 1: step 1mA (<999mA), step 0.01A (<9.99A), step 0.1A (<30A)

** For RX330 Model Only

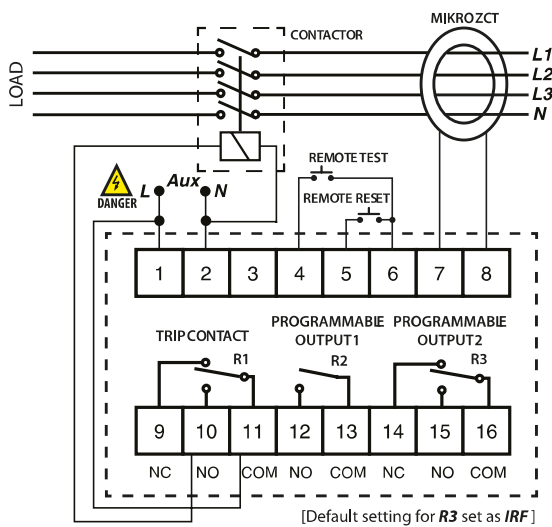
TYPICAL APPLICATION DIAGRAM FOR RX300



CASE DIMENSION



TYPICAL APPLICATION DIAGRAM FOR RX330



ORDERING INFORMATION

MODEL	DESCRIPTION
RX300-230A	Auxiliary voltage 198 ~ 265VAC, frequency 50 or 60Hz
RX330-230A	Auxiliary voltage 198 ~ 265VAC, frequency 50 or 60Hz