



FEATURES

LCD display with back lighting
Modbus-RTU communication

MEASUREMENT PARAMETERS:

- Phase Voltage (L-N) & Line Voltage (L-L)
- Min & Max Phase and Line Voltage
- Phase Current and Neutral Current
- Min & Max Phase Current and Neutral Current
- Bidirectional kW (per phase & total)
- Bidirectional kVAR (per phase & total)
- kVA (per phase & total)
- Min & Max kW, kVAR and KVA
- Frequency
- True & Displacement Power Factor (per phase & total)
- Energy kWh, kVARh and kVAh
- THD Phase Voltage (L-N)
- THD Phase Current
- Power Demand (kW, kVAR & kVA)
- Maximum Power Demand (kW, kVAR & kVA)

SPECIFICATIONS

DISPLAY TYPE

LCD display

MEASUREMENTS

3-phase 4-wire system

3-phase 3-wire system

CURRENT MEASUREMENT (TRMS)

CT primary : 5 ~ 9995 A

CT secondary : 5 A

Minimum measurement : 5 mA

Accuracy : 0.5% from 1A to
6 A (secondary)

Burden : < 0.05 VA at 5 A

Sustained overload : 6 A

VOLTAGE MEASUREMENT (TRMS)

Nominal phase voltage : 20 ~ 300 V AC

Minimum measurement : 10 V

Accuracy : 0.5% at full scale

Phase voltage via VT : 60 ~ 33,000 V

POWER MEASUREMENT

Real power, apparent power, reactive power measurement

Measuring updating period : 1 s

Accuracy : 1.0%

POWER DEMAND

Interval : 1 ~ 30 mins

POWER FACTOR MEASUREMENT

Total and displacement power factor

Accuracy : 1.0%

FREQUENCY MEASUREMENT

Measurement range : 45 ~ 65 Hz

Measurement updating period : 1s

Accuracy : 0.5%

ENERGY ACCURACY

Active (according to IEC 62053-21) : class 1

Reactive (according to IEC 62053-23): class 2

AUXILIARY POWER SUPPLY

AC voltage : 90 ~ 415 V AC

Frequency : 50 / 60 Hz

DC voltage : 100 ~ 300 V DC

Power consumption : <3 VA

COMMUNICATION

Hardware interface : Isolated RS485

Protocol : Modbus-RTU

Baud rate : 4800, 9600,
19200, 38400

ENVIRONMENTAL CONDITIONS

Temperature : -10°C to 55°C

Humidity : 5% to 95%,
non-condensing

MECHANICAL

Mounting : Panel mounting

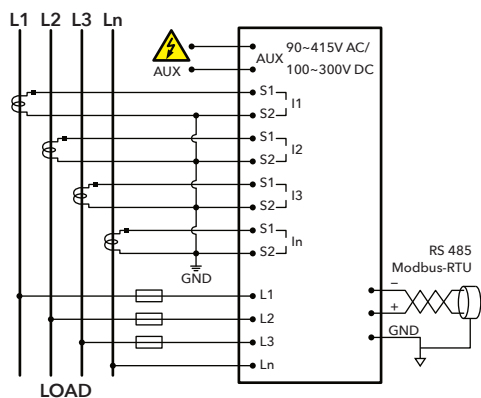
Dimension (mm) : 96(w) x 96(h) x
87.5(d)

Approximate weight : 0.40kg

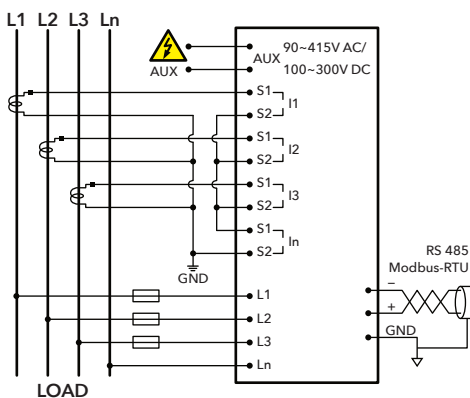
Enclosure protection : IP54 at the panel
IP20 at the body

TYPICAL APPLICATION DIAGRAM

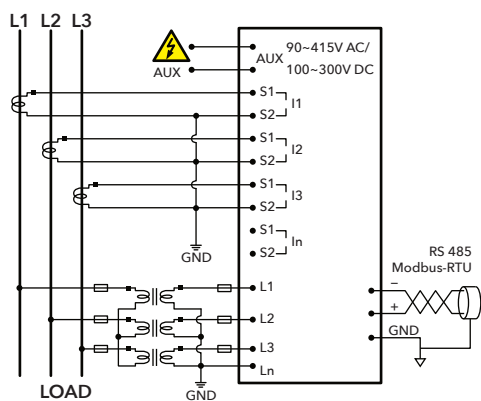
3-PHASE 4-WIRE SYSTEM: 4CTs, direct V input



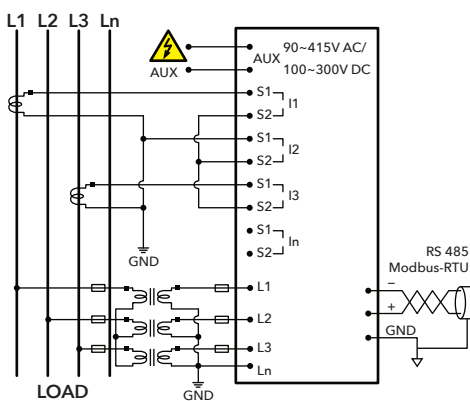
3-PHASE 4-WIRE SYSTEM: 3CTs, direct V input



3-PHASE 3-WIRE SYSTEM: 3CTs, 3VTs



3-PHASE 3-WIRE SYSTEM: 2CTs, 3VTs



ELECTROMAGNETIC COMPATIBILITY (EMC)

Part 6-2: Generic Standards IEC61000-6-2

Immunity for industrial environments.

Part 6-4: Generic Standards IEC61000-6-4

Emission standard for industrial environments

ORDERING INFORMATION

MODEL	DESCRIPTION
RX 380-415AD	Auxiliary Voltage 90~415 VAC or 100~300 V DC, with RS 485

CASE DIMENSION

