

POWER FACTOR CORRECTION CAPACITOR

Mikro's capacitors are designed for power factor correction in applications such as motors, transformers, generators and supply cables. The capacitors are manufactured using metallised polypropylene film as the dielectric. The dry type capacitor operates within a cylindrical aluminium case.



APPLICATIONS

Used for both single phase and 3 phase, depending on the design on the user for power factor improvement values.

Appropriate for industrial and general use.

FEATURES

- 1 General industrial use
- 2 Improves power factor
- 3 Reduces line losses
- 4 Decreases voltage drop
- 5 Saves energy
- 6 Metallised Polypropylene film which has low losses
- 7 Compact design
- 8 Dry type aluminum cylinder
- 9 Oil type steel case
- 10 Self healing Technology
- 11 Overpressure disconnecter
- 12 Discharge and bleeding resistor included
- 13 Adhere to IEC 60831-1 and IEC 60831-2 standards
- 14 Long life

POWER FACTOR CORRECTION CAPACITOR

TECHNICAL SPECIFICATION

Type	Dry Type (Cylinder type)	Oil Type
Voltage Range	220...690 V AC	230...660 V AC
Frequency	50Hz 60Hz (Upon request)	50Hz 60Hz (Upon request)
Power Range	2.5kVAR to 60kVAR	5kVAR to 75kVAR
Capacitor Losses	< 0.35 W/kVAR	< 0.35 W/kVAR
Total Losses with Discharge Resistor	< 1.0 W/kVAR	< 1.0 W/kVAR
Capacity Tolerance	-5% ~ 10% (at 20°C)	-5% ~ 10% (at 20°C)
Max Overvoltage	Un + 10% (up to 8 hours daily) Un + 15% (up to 30 mins daily) Un + 20% (up to 5 mins monthly) Un + 30% (up to 1 mins monthly)	Un + 10% (up to 8 hours daily) Un + 15% (up to 30 mins daily) Un + 20% (up to 5 mins monthly) Un + 30% (up to 1 mins monthly)
Max Overcurrent	1.3 x In	1.3 x In
Withstand Voltage	2.15 x Un (10 seconds)	2.15 x Un (10 seconds)
Connection	3 phase (Single phase on request)	3 phase (Single phase on request)
Insulation Level	3/15kV	3/15kV
Dielectric	Metallised Polypropylene	Metallised Polypropylene
Ambient Temp	-25°C ~ 55°C	-25°C ~ 45°C
Discharge	External discharge module	External discharge module
Cooling	Natural forced	Natural forced
Impregnation	Epoxy resin	Capacitor Oil (Non PCB)
Safety	Self healing technology Overpressure disconnecter	Self healing technology Overpressure disconnecter
Installation Place	Indoor (Outdoor on request)	Indoor (Outdoor on request)
Applicable Standards	IEC60831-1, IEC60831-2	IEC60831-1, IC60831-2

POWER FACTOR CORRECTION CAPACITOR

ORDERING INFORMATION

Part No.	Rated (kVAR)	C _n (uF)	Current In (Amp)	Dimensions D*H (mm)	Stud Screw
DRY TYPE CAPACITOR CYLINDER (3 PHASE, 50Hz, 230V AC)					
MKC-235025KT	2.5	150.4	6.3	63*165	M12
MKC-235050KT	5	300.9	12.6	86*170	M12
MKC-235075KT	7.5	451.3	18.8	86*230	M12
MKC-235100KT	10	601.7	25.1	86*275	M12
MKC-235125KT	12.5	752.2	31.4	86*275	M12
MKC-235150KT	15	902.6	37.7	96*275	M12
MKC-235200KT	20	1203.4	50.2	116*305	M12
MKC-235250KT	25	1504.3	62.8	136*305	M12
MKC-235300KT	30	1805.2	75.3	136*305	M12
DRY TYPE CAPACITOR CYLINDER (3 PHASE, 50Hz, 380V AC)					
MKC-385025KT	2.5	55.1	3.8	63*135	M12
MKC-385050KT	5	110.2	7.6	86*140	M12
MKC-385075KT	7.5	165.3	11.4	86*170	M12
MKC-385100KT	10	220.4	15.2	86*230	M12
MKC-385125KT	12.5	275.5	19.0	86*230	M12
MKC-385150KT	15	330.7	22.8	86*275	M12
MKC-385200KT	20	440.9	30.4	96*275	M12
MKC-385250KT	25	551.1	38.0	116*275	M12
MKC-385300KT	30	661.3	45.6	116*280	M12
MKC-385400KT	40	881.7	60.8	136*280	M12
MKC-385500KT	50	1102.2	76.0	136*355	M12
DRY TYPE CAPACITOR CYLINDER (3 PHASE, 50Hz, 400V AC)					
MKC-405025KT	2.5	49.7	3.6	63*135	M12
MKC-405050KT	5	99.5	7.2	86*140	M12
MKC-405075KT	7.5	149.2	10.8	86*170	M12
MKC-405100KT	10	198.9	14.4	86*230	M12
MKC-405125KT	12.5	248.7	18.0	86*230	M12
MKC-405150KT	15	298.4	21.7	86*275	M12
MKC-405200KT	20	397.9	28.9	96*275	M12
MKC-405250KT	25	497.4	36.1	116*275	M12
MKC-405300KT	30	596.8	43.3	116*305	M12
MKC-405400KT	40	795.8	57.7	136*305	M12
MKC-405500KT	50	994.7	72.2	136*380	M12

POWER FACTOR CORRECTION CAPACITOR

ORDERING INFORMATION

Part No.	Rated (kVAR)	Cn (uF)	Current In (Amp)	Dimensions D*H (mm)	Stud Screw
DRY TYPE CAPACITOR CYLINDER (3 PHASE, 50Hz, 415V AC)					
MKC-415025KT	2.5	46.2	3.5	63*135	M12
MKC-415050KT	5	92.4	7.0	63*165	M12
MKC-415075KT	7.5	138.6	10.4	86*170	M12
MKC-415100KT	10	184.8	13.9	86*230	M12
MKC-415125KT	12.5	231.0	17.4	86*230	M12
MKC-415150KT	15	277.2	20.9	86*275	M12
MKC-415200KT	20	369.6	27.8	96*275	M12
MKC-415250KT	25	462.1	34.8	116*275	M12
MKC-415300KT	30	554.5	41.7	116*305	M12
MKC-415400KT	40	739.3	55.6	136*305	M12
MKC-415500KT	50	924.1	69.6	136*380	M12
DRY TYPE CAPACITOR CYLINDER (3 PHASE, 50Hz, 440V AC)					
MKC-445025KT	2.5	41.1	3.3	63*135	M12
MKC-445050KT	5	82.2	6.6	63*165	M12
MKC-445075KT	7.5	123.3	9.8	86*170	M12
MKC-445100KT	10	164.4	13.1	86*170	M12
MKC-445125KT	12.5	205.5	16.4	86*230	M12
MKC-445150KT	15	246.6	19.7	86*230	M12
MKC-445200KT	20	328.8	26.2	86*275	M12
MKC-445250KT	25	411.0	32.8	96*275	M12
MKC-445300KT	30	493.2	39.4	116*275	M12
MKC-445400KT	40	657.7	52.5	136*305	M12
MKC-445500KT	50	822.1	65.6	136*305	M12

POWER FACTOR CORRECTION CAPACITOR

ORDERING INFORMATION

Part No.	Rated (kVAR)	Cn (uF)	Current In (Amp)	Dimensions D*H (mm)	Stud Screw
DRY TYPE CAPACITOR CYLINDER (3 PHASE, 50Hz, 480V AC)					
MKC-485025KT	2.5	34.5	3.0	63*135	M12
MKC-485050KT	5	69.1	6.0	86*140	M12
MKC-485075KT	7.5	103.6	9.0	86*170	M12
MKC-485100KT	10	138.2	12.0	86*230	M12
MKC-485125KT	12.5	172.7	15.0	86*230	M12
MKC-485150KT	15	207.2	18.0	86*275	M12
MKC-485200KT	20	276.3	24.1	96*275	M12
MKC-485250KT	25	345.4	30.1	116*275	M12
MKC-485300KT	30	414.5	36.1	116*275	M12
MKC-485400KT	40	552.6	48.1	136*280	M12
MKC-485500KT	50	690.8	60.1	136*355	M12
DRY TYPE CAPACITOR CYLINDER (3 PHASE, 50Hz, 525V AC)					
MKC-525025KT	2.5	28.9	2.7	63*135	M12
MKC-525050KT	5	57.7	5.5	86*140	M12
MKC-525075KT	7.5	86.6	8.2	86*170	M12
MKC-525100KT	10	115.5	11.0	86*230	M12
MKC-525125KT	12.5	144.4	13.7	86*230	M12
MKC-525150KT	15	173.2	16.5	86*275	M12
MKC-525200KT	20	231.0	22.0	96*275	M12
MKC-525250KT	25	288.7	27.5	116*275	M12
MKC-525300KT	30	346.5	33.0	116*275	M12
MKC-525400KT	40	461.9	44.0	136*280	M12
MKC-525500KT	50	577.4	55.0	136*355	M12
DRY TYPE CAPACITOR CYLINDER (3 PHASE, 50Hz, 660V AC)					
MKC-665100KT	10	73.1	8.7	86*230	M12
MKC-665150KT	15	109.6	13.1	86*275	M12
MKC-665200KT	20	146.1	17.5	96*275	M12
MKC-665250KT	25	182.7	21.9	116*275	M12
MKC-665300KT	30	219.2	26.2	116*275	M12
MKC-665400KT	40	292.3	35.0	136*305	M12
MKC-665500KT	50	365.4	43.7	136*380	M12
MKC-665600KT	60	438.4	52.5	136*380	M12

POWER FACTOR CORRECTION CAPACITOR

ORDERING INFORMATION

Part No.	Rated (kVAR)	Cn (uF)	Current In (Amp)	Dimensions D*H (mm)	Stud Screw
DRY TYPE CAPACITOR CYLINDER (3 PHASE, 50Hz, 690V AC)					
MKC-695050KT	5	33.4	4.2	63*165	M12
MKC-695075KT	7.5	50.1	6.3	86*170	M12
MKC-695100KT	10	66.9	8.4	86*230	M12
MKC-695125KT	12.5	83.6	10.5	86*230	M12
MKC-695150KT	15	100.3	12.6	86*275	M12
MKC-695200KT	20	133.7	16.7	96*275	M12
MKC-695250KT	25	167.1	20.9	96*275	M12
MKC-695300KT	30	200.6	25.1	116*275	M12
MKC-695400KT	40	267.4	33.5	136*305	M12
MKC-695500KT	50	334.3	41.8	136*305	M12
OIL TYPE CAPACITOR (3 PHASE 50 Hz, 230V AC)					
MMS-235010KT	10	601.7	25.1	215*205	n/a
MMB-235015KT	15	902.6	37.7	210*170	n/a
MMB-235020KT	20	1203.4	50.2	210*180	n/a
MMB-235025KT	25	1504.3	62.8	210*230	n/a
MMB-235030KT	30	1805.2	75.3	210*240	n/a
MMB-235040KT	40	2406.9	100.4	210*310	n/a
MMB-235050KT	50	3008.6	125.5	210*360	n/a
OIL TYPE CAPACITOR (3 PHASE 50 Hz, 415V AC)					
MMM-415005KT	5	92.4	7.0	89*165	n/a
MMS-415007KT	7.5	138.6	10.4	215*130	n/a
MMS-415010KT	10	184.8	13.9	215*155	n/a
MMS-415012KT	12.5	231.0	17.4	215*205	n/a
MMS-415015KT	15	277.2	20.9	215*205	n/a
MMS-415020KT	20	369.6	27.8	215*255	n/a
MMB-415025KT	25	462.1	34.8	210*180	n/a
MMB-415030KT	30	554.5	41.7	210*220	n/a
MMB-415040KT	40	739.3	55.6	210*240	n/a
MMB-415050KT	50	924.1	69.6	210*290	n/a

POWER FACTOR CORRECTION CAPACITOR

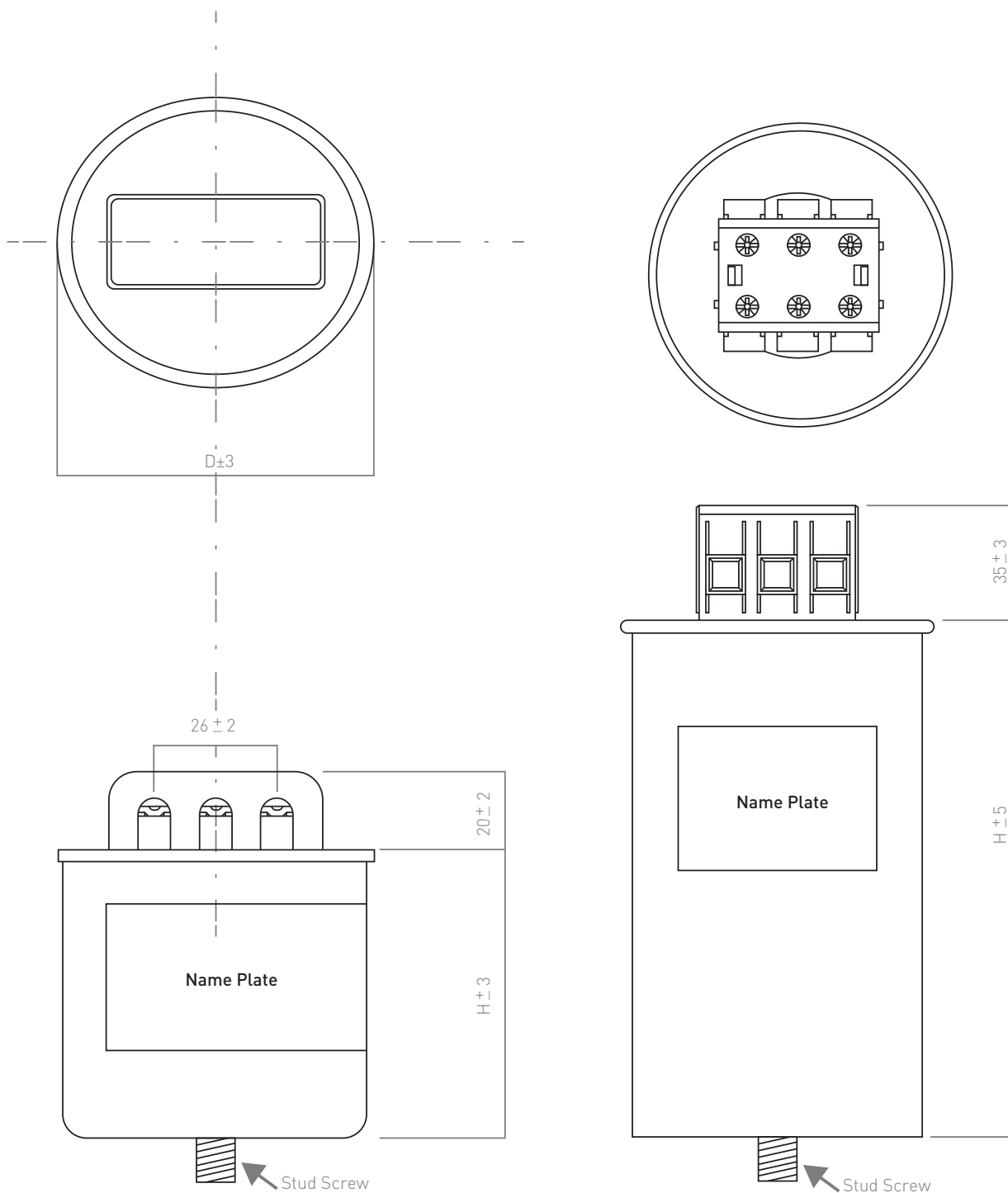
ORDERING INFORMATION

Part No.	Rated (kVAR)	Cn (uF)	Current In (Amp)	Dimensions D*H (mm)	Stud Screw
OIL TYPE CAPACITOR (3 PHASE 50 Hz, 440V AC)					
MMS-445010KT	10	164.4	13.1	215*155	n/a
MMS-445015KT	15	246.6	19.7	215*205	n/a
MMS-445020KT	20	328.8	26.2	215*255	n/a
MMB-445025KT	25	411.0	32.8	210*180	n/a
MMB-445030KT	30	493.2	39.4	210*190	n/a
MMB-445040KT	40	657.7	52.5	210*230	n/a
MMB-445050KT	50	822.1	65.6	210*280	n/a
OIL TYPE CAPACITOR (3 PHASE 50 Hz, 525V AC)					
MMS-525005KT	5	57.7	5.5	215*115	n/a
MMS-525010KT	10	115.5	11.0	215*175	n/a
MMS-525012KT	12.5	144.4	13.7	215*205	n/a
MMS-525015KT	15	173.2	16.5	215*255	n/a
MMB-525020KT	20	231.0	22.0	210*170	n/a
MMB-525025KT	25	288.7	27.5	210*180	n/a
MMB-525030KT	30	346.5	33.0	210*220	n/a
MMB-525040KT	40	461.9	44.0	210*280	n/a
MMB-525050KT	50	577.4	55.0	210*310	n/a
OIL TYPE CAPACITOR (3 PHASE 50 Hz, 660V AC)					
MMS-665010KT	10	73.1	8.7	215*155	n/a
MMS-665015KT	15	109.6	13.1	215*205	n/a
MMS-665020KT	20	146.1	17.5	215*255	n/a
MMB-665025KT	25	182.7	21.9	210*180	n/a
MMB-665030KT	30	219.2	26.2	210*220	n/a
MMB-665040KT	40	292.3	35.0	210*240	n/a
MMB-665050KT	50	365.4	43.7	210*290	n/a
MMB-665060KT	60	438.4	52.5	210*350	n/a
MMB-665075KT	75	548.1	65.6	210*410	n/a

POWER FACTOR CORRECTION CAPACITOR

CASE DIMENSIONS

DRY TYPE CAPACITOR



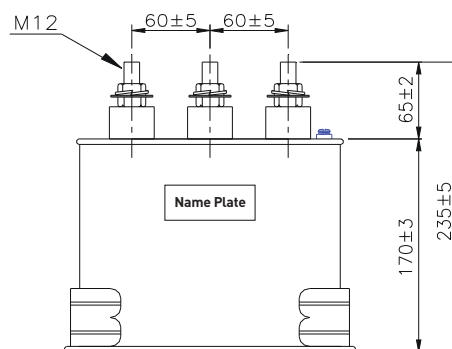
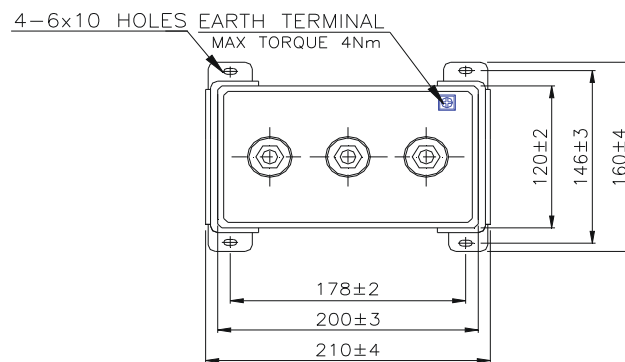
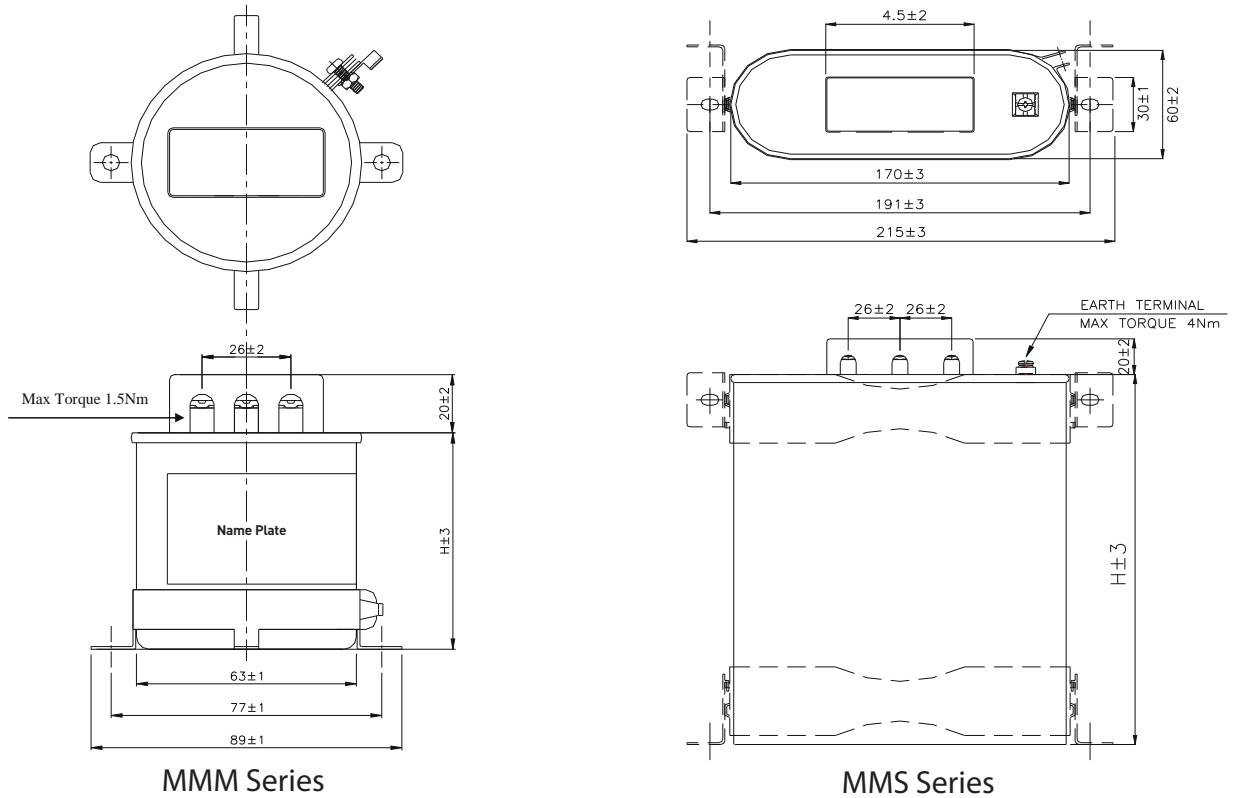
Unit in mm

Please see the Ordering Information for the Dimension D, H and Stud screw size

POWER FACTOR CORRECTION CAPACITOR

CASE DIMENSIONS

OIL TYPE CAPACITOR



Unit in mm

Please see the Ordering Information for the Dimension D and H